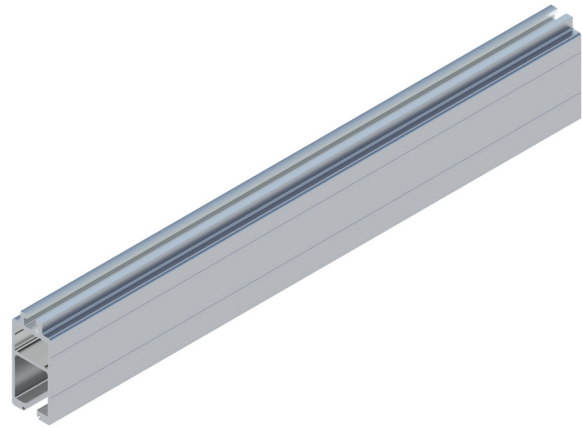
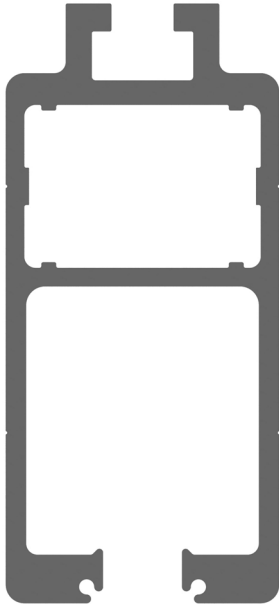


Monorail Tracks

CG50



Design Standard	EN 1808
Track Type	CG50
Dimensions	124 mm x 84 mm
Weight	6.45 kg/m
Yield Limit	160 N/mm ² 240 N/mm ²
Minimum Horizontal Bend Radius	900 mm
Typical Bracket Span	2.0 m – 3.0 m
Bracket Fastening	Side
Fastening Method	2 x M16 bolts for each bracket
Material	Aluminium alloy 6063-T6 Aluminium alloy 6061-T6
Finish	Mill finish
Optional Surface Treatment	Anodized
Optional Colors	RAL 7004 RAL 9001

CoxGomyl's monorail is the ideal façade maintenance system for buildings with limited roof space. It can be installed with minimum visual impact respecting the architectural aesthetic. It consists of aluminium tracks in combination with the CoxGomyl trolley range and suspended platforms or as an abseil solution.

CoxGomyl CG50 tracks are designed for side arrangement. Suitable for indoor and outdoor installations.

CoxGomyl trolleys must be used with the CG50 track.