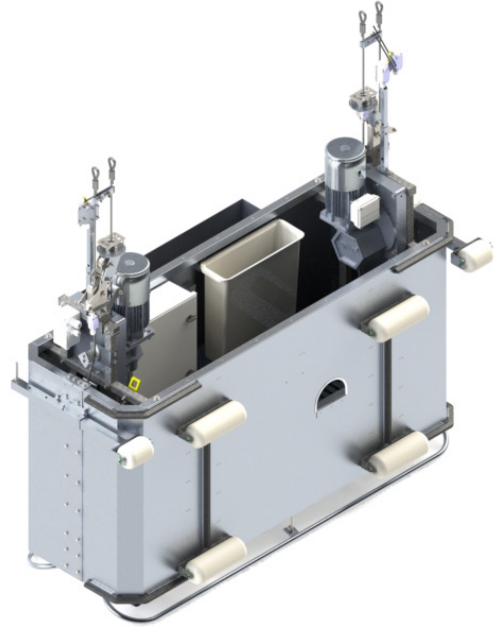
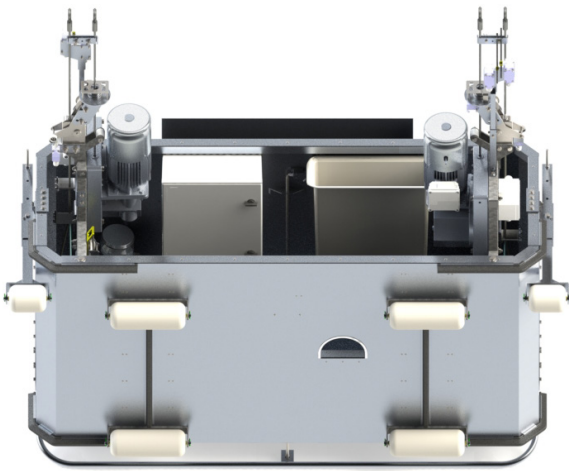


# Self Powered Cradle



	SPC 2	SPC 2.5	SPC 3	SPC 3.5	SPC 4
<b>Design Standard</b>	EN 1808				
<b>Nominal Length (mm)</b>	2000	2500	3000	3500	4000
<b>Cradle Width (mm)</b>	600 / 700				
<b>Cradle Height (mm)</b>	1000				
<b>Distance Between Suspension Ropes (mm)</b>	1532	2032	2532	3032	3532
<b>Overall Length (mm)</b>	2259	2759	3259	3759	4259
<b>Weight (kg)*</b>	257	270	278	286	313
<b>Safe Working Load (SWL) (kg)</b>	240				
<b>Power Consumption (kW) **</b>	2				
<b>Suspensions and Safety Rope (mm) ***</b>	Ø 8.4 (2 ropes per Traction Hoist)				
<b>Electrical Supply Cable</b>	4 x 1.5 mm <sup>2</sup> , 3 phases + earth. For drops > 80m - 4 x 2.5 mm <sup>2</sup> , 3 phases + earth				

\*Self-weight without steel wire rope and power supply cable. Add 1.35kg/m for ropes and cable

\*\* Power consumption at rated load

\*\*\* Breaking load 55 KN

CoxGomyl's Self Powered Cradle has been developed for an efficient and safe means of facade access. The cradle has been re-designed and constructed from lightweight aluminum in combination with solid panels.

- The cradle is equipped with a unique self-powered frame including a custom developed traction hoist.
- Designed with 7 different length dimensions to accommodate 1-2 operators, ranging from 1 to 4 meters.
- Fully manufactured in Europe and EN1808 certified.

### Key Features

- Suitable for indoor and outdoor use
- PLC controller
- Light and robust design
- EU components

# Self Powered Cradle

## Standard Features

- Welded aluminium structure with 1.2 aluminium cover panels around all the cradle
- Exclusive L shape aluminium covers to avoid sharp edges
- Anti-slip solid aluminum floor checkered plate 3/5 mm thickness
- Coxgomyl Self Powered Frame
  - Adaptable hot dip galvanized steel structure
  - Powered by CoxGomyl traction hoist with:
    - Electro-mechanical overload detection device
    - Elector-mechanical service brake
    - “No Power” emergency descent
    - Thermal protection
    - Hour meter
    - Slack rope safety device
  - Fall Arrest Device
  - Twin Aluminium wire winder covered with unique plexiglass window to continuously check the proper ropes winding
  - Safety harness point CE-accredited EN-795: 2012
- 2 non marking wall shock absorber rollers (110mm Diameter and 300 length mm)
- Bottom limit safety bar
  - Limit switch protected and displaced to an upper position to avoid knocks when working in the cradle
- Top limit switch
- Ultimate top limit switch
- Mechanical anti-tilt device
- Triangular absorber rubber to protect all 4 cradle corners
- Reinforced XL access hollows to allow an easy cradle access
- Restraint system to connect the SPC to fixed points in the building

## Control Box

- IP-65 protection
- PLC (Programmable Logic Controller)
- ON Power light indicator
- Up/down turn button
- Hoist selector switch
- Emergency stop button
- Overload warning indicator
- Hour meter
- Bottom trip bypass button
- Main power switch (lockable)
- Low voltage 24Vdc control circuit
- MCB as main switch
- Thermal protection for traction hoist motor
- Automatic levelling
- Main power plug with phase reversal
- Over speed safety device
- Fully EU components

## Optional Features

- Set of 4 castor wheels for easy transportation
- Traction hoist cover to protect it during storage
- Extra 2 wall shock absorber rollers
- Extensible upper wall shock absorber rollers
- Light weight water tank
- Cable storage bin
- Powder coating painting RAL
- Other special requirements