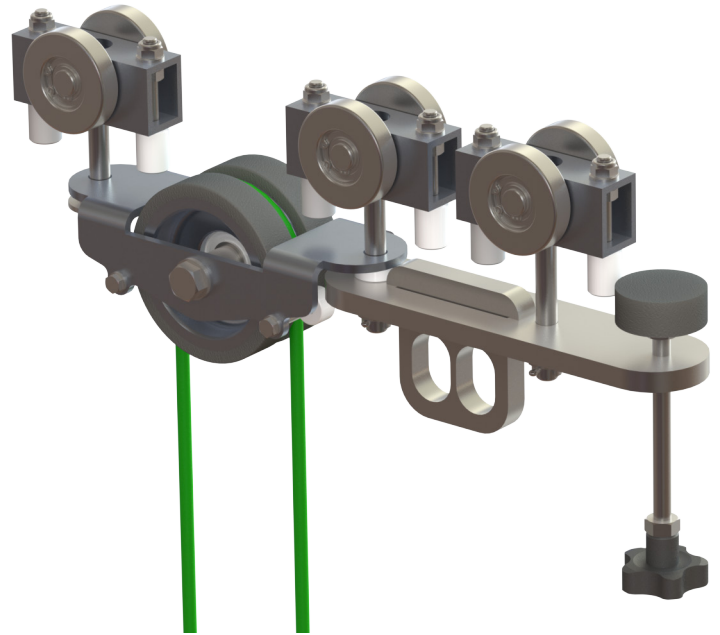
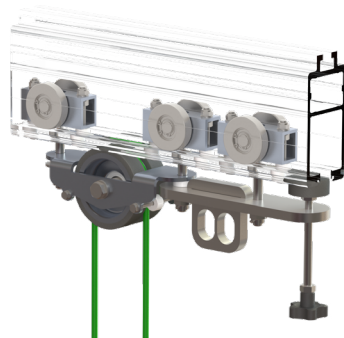
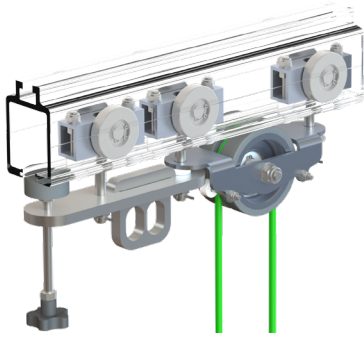


# Rope Driven Trolley

CG10RT, CG40RT



<b>Design Standard</b>	US OSHA1910.66 and ASME 120.1 standards
<b>Track Type</b>	CG10, CG40
<b>Weight</b>	14,13 lbs
<b>Material</b>	Aluminium 6060-T66 Stainless steel AISI 304
<b>Traction Pulley Material</b>	Aluminium with vulcanized rubber
<b>Traction Pulley Diameter</b>	Ø 4,13"
<b>Bearings</b>	Deep groove ball W
<b>Roller Diameter</b>	Ø 2,36"
<b>Suspension Holes Plate Length</b>	3,00"
<b>Suspension Holes Upper/Lower Diameter</b>	Ø 1,06"
<b>Trolley Length</b>	18,58"
<b>Trolley Width</b>	2,95"

The CoxGomyl CG10RT and CG40RT rope driven trollies work in combination with the CG10 & CG40 tracks and can be used for indoor and outdoor applications.

The trolley is moved by pulling the rope from the suspended self-powered platform. The trolley is equipped with two suspension holes, one for the suspension wire and one for the safety wire. The trolley is for use with straight and curved horizontal tracks only.

#### Key Features

- Suitable for indoor and outdoor use
- Constructed from corrosion resistant materials
- Premium bearings for smooth operation
- Optional manual screw brake