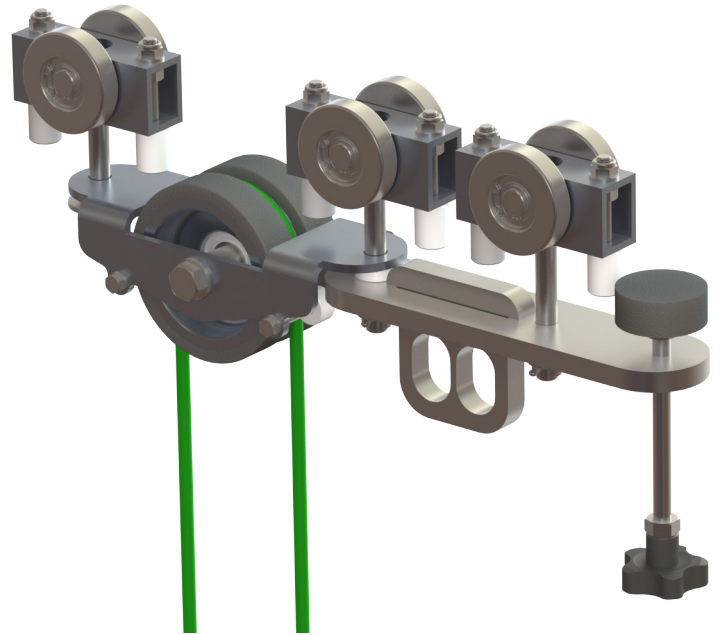
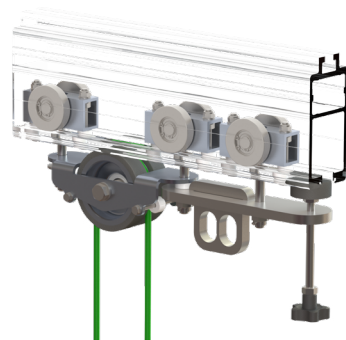
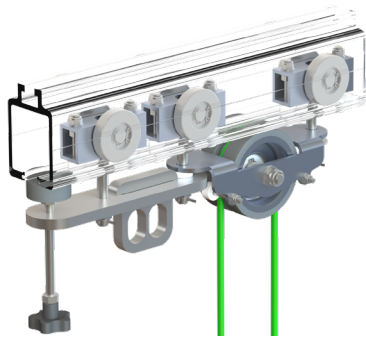


Rope Driven Trolley

CG10RT, CG40RT



Design Standard	EN 1808
Track Type	CG10, CG40
Weight	6.41 kg
Material	Aluminium 6060-T66 Stainless steel AISI 304
Traction Pulley Material	Aluminium with vulcanized rubber
Traction Pulley Diameter	Ø 105 mm
Bearings	Deep groove ball W
Roller Diameter	Ø 60 mm
Suspension Holes Plate Length	76 mm
Suspension Holes Upper/Lower Diameter	Ø 27 mm
Trolley Length	472 mm
Trolley Width	75 mm

The CoxGomyl CG10RT and CG40RT rope driven trollies work in combination with the CG10 & CG40 tracks and can be used for indoor and outdoor applications.

The trolley is moved by pulling the rope from the suspended self-powered platform. The trolley is equipped with two suspension holes, one for the suspension wire and one for the safety wire. The trolley is for use with straight and curved horizontal tracks only.

Key Features

- Suitable for indoor and outdoor use
- Constructed from corrosion resistant materials
- Premium bearings for smooth operation
- Optional manual screw brake