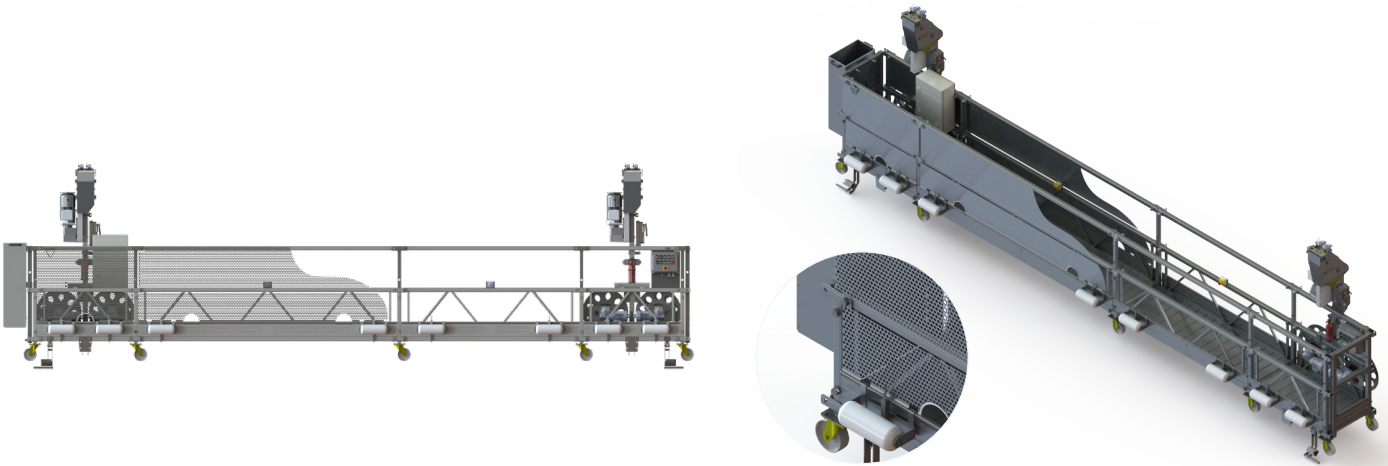


Modular Self Powered Platform



CoxGomyl's Modular Self Powered Platform is the ideal choice for safe and efficient facade access for up to three operators. The platform has been re-designed and constructed from lightweight aluminium in combination with perforated panels. It can be assembled to obtain the platform length required on site thanks to its safety pin system.

- The platform is equipped with a unique self-powered frame including a custom developed traction hoist.

- Designed with lengths from 2 to 12 meters using standard modules of 0.5m, 1m, 2m and 3m for multiple configurations.
- The platform is suitable for up to 3 operators, reaching a maximum drop of 150 meters.
- Fully manufactured in Europe and manufactured according to OSHA 1910.66 and ASME 120.1 standards.

		Module Configurations				Assembly Summary (m)	End Stirrup Weight* kg (lbs)	Pass-by Stirrup Weight* (kg)
		0.5m 1'65"	1m 3'3"	2m 6'6"	3m 9'9"			
Nominal length (m)	2		MS+1			1 + 1	391 (862)	429 (946)
	2.5	1	MS+1			1 + 1 + 0.5	429 (946)	467 (1030)
	3		MS+2			1 + 1 + 1	446 (983)	483 (1065)
	4			MS+1		2 + 2	434 (957)	472 (1040)
	4.5	1		MS+1		2 + 2 + 0.5	472 (1041)	509 (1122)
	5		1	MS+1		2 + 2 + 1	489 (1078)	526 (1160)
	6				MS+1	3 + 3	484 (1067)	500 (1102)
	6.5	1			MS+1	3 + 3 + 0.5	521 (1149)	537 (1184)
	7		1		MS+1	3 + 3 + 1	538 (1186)	554 (1221)
	8			1	MS+1	3 + 2 + 1	556 (1226)	572 (1261)
	9				MS+2	3 + 3 + 3	578 (1274)	594 (1310)
	10				MS+1	3 + 3 + 2 + 2	628 (1384)	646 (1424)
	11			1	MS+2	3 + 3 + 3 + 2	650 (1433)	666 (1468)
12				MS+3	3 + 3 + 3 + 3	672 (1482)	689 (1520)	

*Self-weight without steel wire rope and power supply cable. Add 1.35kg/m for ropes and cable

Modular Self Powered Platform

Standard Features

- Maximum load capacity - 500lbs (226kg) to 750lbs (340kg) depending on platform length
- End stirrup platform width 890 mm / Pass-by stirrup platform width 1010
- Pass-by stirrup platform width of 890 mm
- Available with end or pass-by stirrups
- Quick and simple assembly with one step 'insert and snap' quick pins
- Lightweight aluminium structure with robust steel hot dip galvanized self-powered frame
- CoxGomyl Self Powered Frame
 - Adaptable hot dip galvanized steel structure (end stirrup only)
 - Powered by CoxGomyl traction hoist with:
 - Electro-mechanical overload detection device
 - Mechanical service brake
 - "No Power" emergency descent
 - Thermal protection
 - Hour meter
 - Fall Arrest Device
 - Aluminium wire winder covered with unique plexiglass window to continuously check the proper ropes winding (only available for end stirrup design)
 - Suspension and safety rope \varnothing 8.4 mm (2 ropes per Traction Hoist)
- Safety harness point ANSI Z359.1 Capacity 22.2kN
- Anti-slip solid aluminum floor checkered plate 16 mm thickness
- 2 non marking wall shock absorber rollers (110mm Diameter and 300 length mm)
- Set of castor wheels for easy transportation in each module
- Bottom limit safety photocell
- Top limit switch
- Ultimate top limit switch
- Reinforced XL access hollows to allow an easy platform access
- Restraint system to connect the MSPP to fixed points in the building

Control Box

- IP-65 protection
- PLC (Programmable Logic Controller)
- ON Power light indicator
- Up/down turn button
- Hoist selector switch
- Emergency stop button
- Overload warning indicator
- Hour meter
- Bottom trip bypass button
- Main power switch (lockable)
- Low voltage 24Vdc control circuit
- MCB as main switch
- Thermal protection for traction hoist motor
- Inclination detector
- Main power plug with phase reversal
- Over speed safety device
- EU components

Optional Features

- Traction hoist cover to protect it during storage
- Extra wall shock absorber rollers
- Extensible upper wall shock absorber rollers
- Light weight water tank
- Cable storage bin
- Other special requirements

Key Features

- Compact design for easy transport
- Suitable for indoor and outdoor use
- PLC controller
- Light and robust design
- EU components