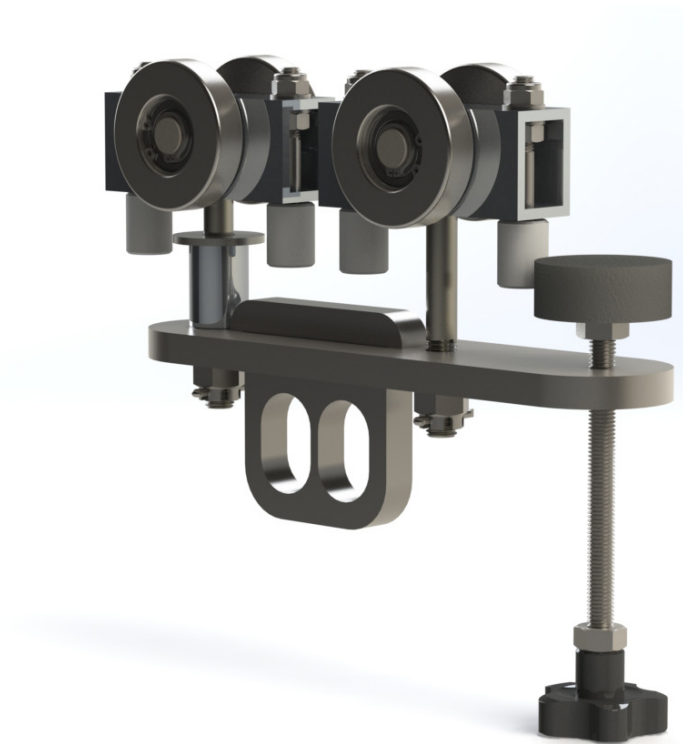
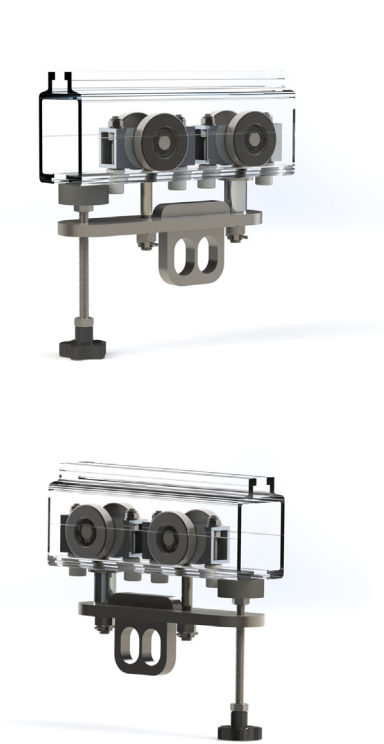


Manual Trolley

CG10MT



Design Standard	EN 1808
Track Type	CG10
Weight	3.7 kg
Material	Aluminium 6060-T66 Stainless steel AISI 304
Bearings	Deep groove ball W
Distance Between Rollers	119 mm
Roller Diameter	Ø 60 mm
Suspension Holes Plate Length	76 mm
Suspension Holes Upper/Lower Diameter	Ø 27 mm
Trolley Length	250 mm
Trolley Width	60 mm

The CoxGomyl CG10MT is a manual trolley that works in combination with the CG10 track and can be used for indoor and outdoor applications.

The trolley is moved by pulling from the track, pushing from the facade, or moving from the ground level. The trolley is equipped with two suspension holes, one for the suspension wire and one for the safety wire. The trolley is for use with straight and curved horizontal tracks only.

Key Features

- Suitable for indoor and outdoor use
- Constructed from corrosion resistant materials
- Premium bearings for smooth operation
- Optional manual screw brake